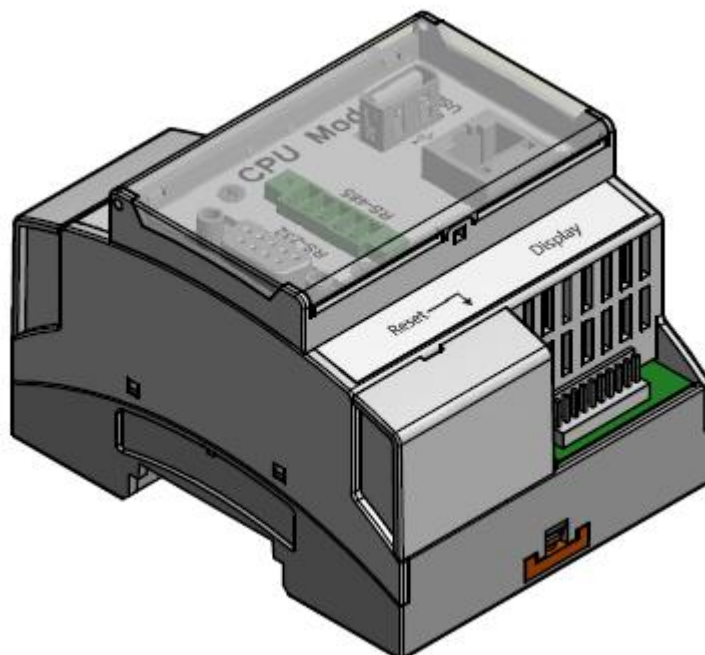
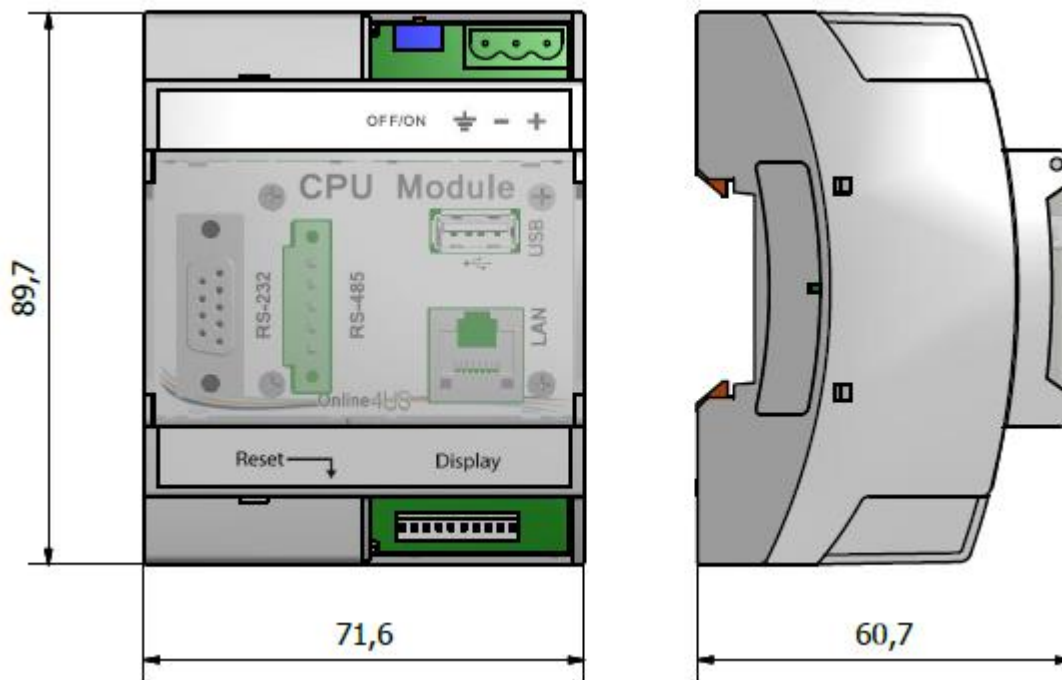


FU.O4US.CUM

FU.O4US.CUM

O4US MK2 - CENTRAL UNIT MODULE

Project: Online4US (13AE)



SPECIFICATIONS	
General	
Function	Data collector and centralizer
Internal Storage	4 GB (up to 64 GB on demand)
Processor	ARM Cortex-M4/M0 Dual-Core @ 204MHz
Display	5" 800x480 Resistive touch
External Ports	1 USB Host 2.0 1 RS-232 @ 38400-8-E-1 1 RS-485 @ 38400-8-E-1 1 RJ45 10/100T Ethernet
Environmental	
Operating temperature range	-20 to +55 °C -4 to 131°F
Mechanical	
Housing material	Polycarbonate
Dimensions housing	71.6x89.7x54.9 mm 2.80"x3.50"x2.13"
Mounting	35 mm DIN-rail
Weight	145g 5.11oz
Power	
Power supply	24VDC +/- 10%
Power consumption	≈200mA (display ON)
Modules support	
Sensors module support	Up to 16 modules (32 sensors)
Digital Inputs/Outputs module support	Up to 3 modules (8 Inputs – 16 Outputs)
Analog Inputs module support	Up to 1 module (8 Inputs)
Communication module support	Compatible with industrial Modem GSM/GPRS/EDGE/UMTS/HSPA/LTE Gateway Compatible with industrial protocol converter gateway