

FU.SEN.RC25.001-01

General description:

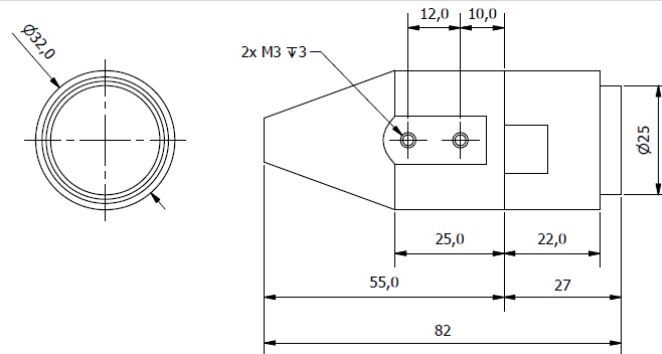
FU.SEN.RC25 is an enclosed airborne ultrasound sensor that connects to the SDT Online4US instrument device. It's primary design and function is to detect sources of airborne ultrasound including positive and negative pressure leaks, electrical partial discharge, mechanical defects in belt drives, chain drives, and direct coupled shafts. FU.SEN.RC25 detects signals generated by T-Sonic1 and T-Sonic9 ultrasound transmitters and is therefore applicable to tightness inspections.

Technical data :

General specifications

Center frequency	40 ± 1 kHz
Bandwidth (- 6 dB)	1 kHz
Sensitivity (at 40 kHz; 0dB = 1 V/Pa)	- 20 dB
Total beam angle (- 6 dB)	30°
IP rating	65
Weight	110 g
Compatibility	FU.O4US.USM.001

Dimensions [mm]



Reference Number

US airborne sensor holder (Integrated Cable)	
Cable Length [Item Code
0 - 5 m	FU.O4US.SH1.001--01
5,1 - 10 m	FU.O4US.SH1.002--01
10,1 - 25 m	FU.O4US.SH1.003--01
25,1 - 35 m	FU.O4US.SH1.004--01
35,1 - 50 m	FU.O4US.SH1.005--01

