



DC.CP2.DAT.02--c Datasheet : RS1T sensor

Model Nr: FUSCRS3A → if ATEX



General Description:

The RS1T sensor is an ultrasound contact sensor you can screw on machines or accessories.

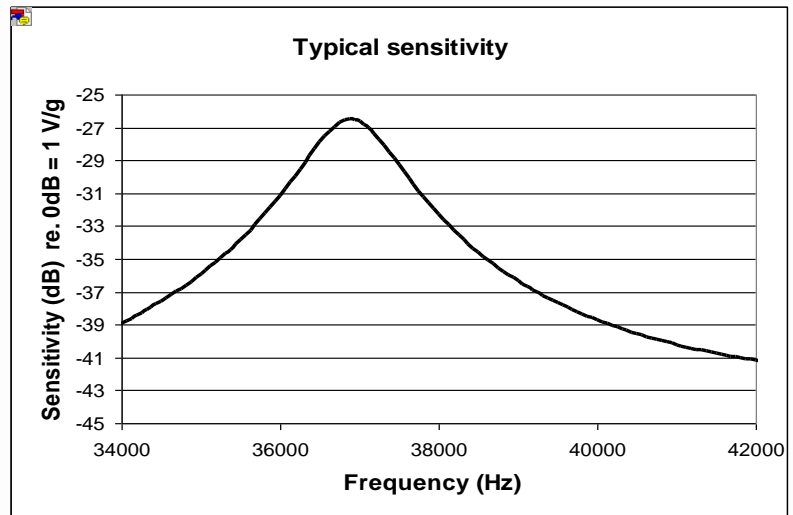
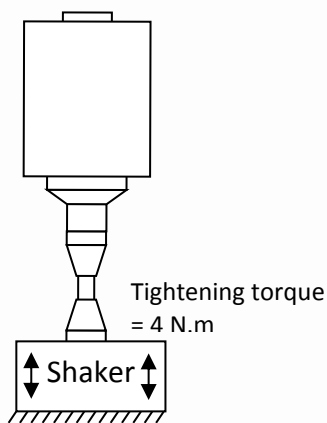
A piezoelectric crystal glued on a mechanical resonant structure ensures the transduction from vibration to electric signal.

Technical Data:

Sensor type	Vibration resonant contact sensor
Central frequency @ 20°C	37.2 kHz ± 500 Hz
RMS sensitivity from 36.4 to 40.4 kHz	23.0 mV/g ± 2 dB
Central frequency sensitivity to temperature	-10 Hz/°C (typical)
Temperature range	-10°C to +40 °C
Dimensions	∅32mm x 88 mm
Thread type	M6 x 5 mm
Weight	0.126 kg
International protection rating	IP65

Do NOT dismount the foot! It's a part of the resonant structure!

Test conditions

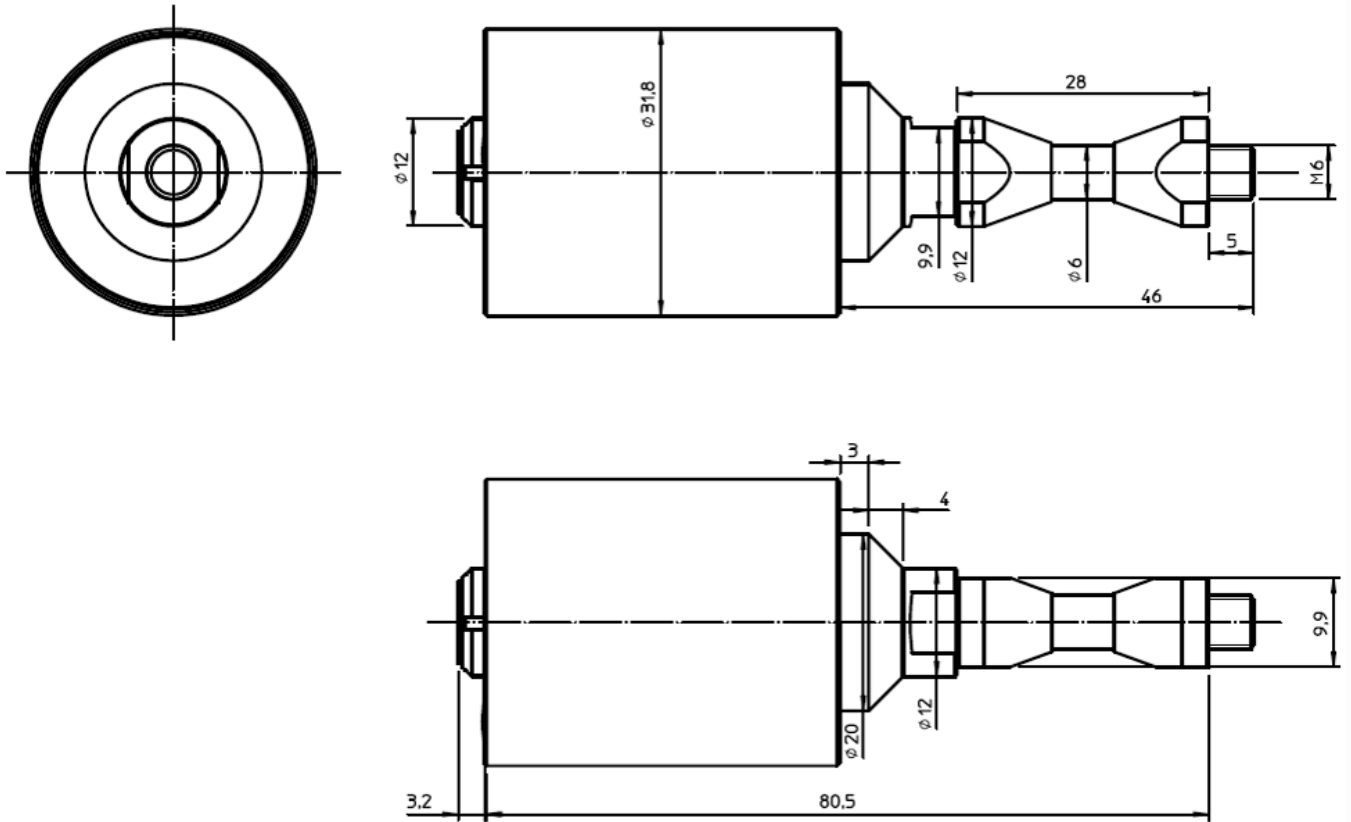


For ATEX model: - Denomination: C € 0492 (Ex) II(1) G Ex ia II C T?

The information herein is believed to be accurate to the best of our knowledge.

Due to continued research and development specifications of this product can change without prior notice.

Mechanical Drawing:



f	GEL 2016-04-01	Removed a non-pertinent reference to ATEX electrical specifications	MCH
E	TSA 2012-10-02	Add the sensor name RS1T highly visible	GEL 2014-10-08
d	TSA 2012-10-01	Add mechanical drawing with dimensions	
c	TSA 2010-12-07	Add document reference (DC.CP2..)	
b	TSA 2010-12-01	Add ATEX specifications	
Rev	Writer	Nature of modification	Verified

The information herein is believed to be accurate to the best of our knowledge.

Due to continued research and development specifications of this product can change without prior notice.